



DOCAN[®]
A CAN DO COMPANY

Engineering Consultants & CAE Software Distributors ²⁰²¹

www.docanco.com

Tel. UK: +44 (0)1606 212330

USA: +1 888 874 0964

E: info@docanco.com

ABOUT US

WE ARE ADANCED ENGINEERING
CONSULTANCY AND CAE SOFTWARE
DISTRIBUTION COMPANY.

WE PRIDE OURSELVES ON OUR CAN-DO
APPROACH AND ABILITY TO OFFER CUTTING
EDGE SOLUTIONS TO OUR CLIENTS.

We are run by experienced Professional
Engineers, Designers and Consultants following
an ISO9001:2015 BSI certified Quality Management
System and have experience in many regulated
industries.



ISO 9001:2015 | Certificate number: FS 729034

Our processes and QA system are aligned with
providing design and assessment services for
high integrity engineering products, and we have
a growing track record of delivering on significant
safety-critical projects.

OUR BUSINESS IS SPLIT INTO TWO
DISCREET DIRECTORATES.

- Engineering Consultancy
- CAE Software Distribution

We have formed several strategic partnerships with
world class CAE software houses, giving us access
to a comprehensive range of design and analysis
products. We have tools and skills covering a broad
spectrum of client requirements for product design,
drafting, analysis and assessment.





3D CAD Model of a Mechanical Part

Position	Value	Reference
A	12.54	14.7
B	102.14	14.7
C	27.14	14.7

MP1337-2017 Smart Expanded Controller Block Diagram

Note: MyP1337-2017 Smart Expanded Controller Block Diagram

Inputs

Input	Unit	Min	Max
AT0000	Feed	0	30
AT0001	Feed	0	30
AT0002	Feed	0	30
AT0003	Feed	0	30
AT0004	Feed	0	30
AT0005	Feed	0	30
AT0006	Feed	0	30
AT0007	Feed	0	30
AT0008	Feed	0	30
AT0009	Feed	0	30
AT0010	Feed	0	30
AT0011	Feed	0	30
AT0012	Feed	0	30
AT0013	Feed	0	30
AT0014	Feed	0	30
AT0015	Feed	0	30
AT0016	Feed	0	30
AT0017	Feed	0	30
AT0018	Feed	0	30
AT0019	Feed	0	30
AT0020	Feed	0	30
AT0021	Feed	0	30
AT0022	Feed	0	30
AT0023	Feed	0	30
AT0024	Feed	0	30
AT0025	Feed	0	30
AT0026	Feed	0	30
AT0027	Feed	0	30
AT0028	Feed	0	30
AT0029	Feed	0	30
AT0030	Feed	0	30
AT0031	Feed	0	30
AT0032	Feed	0	30
AT0033	Feed	0	30
AT0034	Feed	0	30
AT0035	Feed	0	30
AT0036	Feed	0	30
AT0037	Feed	0	30
AT0038	Feed	0	30
AT0039	Feed	0	30
AT0040	Feed	0	30
AT0041	Feed	0	30
AT0042	Feed	0	30
AT0043	Feed	0	30
AT0044	Feed	0	30
AT0045	Feed	0	30
AT0046	Feed	0	30
AT0047	Feed	0	30
AT0048	Feed	0	30
AT0049	Feed	0	30
AT0050	Feed	0	30
AT0051	Feed	0	30
AT0052	Feed	0	30
AT0053	Feed	0	30
AT0054	Feed	0	30
AT0055	Feed	0	30
AT0056	Feed	0	30
AT0057	Feed	0	30
AT0058	Feed	0	30
AT0059	Feed	0	30
AT0060	Feed	0	30
AT0061	Feed	0	30
AT0062	Feed	0	30
AT0063	Feed	0	30
AT0064	Feed	0	30
AT0065	Feed	0	30
AT0066	Feed	0	30
AT0067	Feed	0	30
AT0068	Feed	0	30
AT0069	Feed	0	30
AT0070	Feed	0	30
AT0071	Feed	0	30
AT0072	Feed	0	30
AT0073	Feed	0	30
AT0074	Feed	0	30
AT0075	Feed	0	30
AT0076	Feed	0	30
AT0077	Feed	0	30
AT0078	Feed	0	30
AT0079	Feed	0	30
AT0080	Feed	0	30
AT0081	Feed	0	30
AT0082	Feed	0	30
AT0083	Feed	0	30
AT0084	Feed	0	30
AT0085	Feed	0	30
AT0086	Feed	0	30
AT0087	Feed	0	30
AT0088	Feed	0	30
AT0089	Feed	0	30
AT0090	Feed	0	30
AT0091	Feed	0	30
AT0092	Feed	0	30
AT0093	Feed	0	30
AT0094	Feed	0	30
AT0095	Feed	0	30
AT0096	Feed	0	30
AT0097	Feed	0	30
AT0098	Feed	0	30
AT0099	Feed	0	30
AT0100	Feed	0	30

ETHOS

**OUR VISION IS TO BE THE PREMIER
ENGINEERING COMPANY FOR OFFERING
CONSULTING AND SOFTWARE SOLUTIONS
SOLVING MAJOR CLIENT CHALLENGES AND
ADDING MAJOR VALUE.**

We will do the simple very efficiently, but more likely we will do the most difficult in the optimal manner.

In order to do that, we have the best people connected to cutting edge technology and methods throughout the projects entire life-cycle to give the best client outcomes possible.

If we are selling you software and giving support, you will meet a breadth of people. Our support team are our engineers – who use the same software in their day to day job. In this manner, we can often give project advice as well, and turbo charge your project.

Our sales people are focused on offering you the best solution – we do not do high pressure sales; we want our software to sell itself.



OUR VALUES

Our values at DOCAN are the forefront of our identity and vision. They play a major role in the success of every project we undertake.

We are driven as a company, as a team, to bring together our expertise, powerful technologies, industry experience and insights which helps our clients solve their problems.

- To have a can-do attitude
- To have accountability
- To have integrity
- To be honest and straightforward
- To deliver on value and quality
- To have a positive social impact
- To have a customer focus
- To have the most appropriate and innovative technology solutions available
- To be positive
- To have fun and learn on the way



TYPICAL INDUSTRIES AND EXPERIENCE

DOCAN's engineers are experienced across a wide range of industries, and we actively promote knowledge transfer within the company, meaning our skill sets are continually expanding.

Here are a few of the industries within which we have developed a track record with our clients:



Aerospace

The DOCAN team have access to the most trusted software and techniques used in the Aerospace sectors with MSC Nastran in addition to others. We have engineers with experience include working on the A400M and A380 and an Associate Engineer who has held a signatory level position for multiple blue-chip companies and has worked on highly complex aero applications.



Automotive

We have industry experience covering consultancy projects assessing the smallest components through to working in Original Equipment Manufacture (OEM) and parts supply into some of the biggest Japanese auto companies, as well as motorsport applications in world & national level categories.



Defence

Our engineers have industry experience working on a variety of defense applications. These include thermo mechanical design of electronics and sat comms equipment (SABIT, Manpack, Paradigm), Electronics applications for EADS, and the Faslane submarine ship lift.



Oil and Gas

Our engineers' have worked across the globe for multinational OEMs and have covered most aspects of the product life cycle, from R&D, through to manufacture and testing, all the way to fitness for service assessment and decommissioning.



Nuclear & Power Generation

We work on high integrity designs within highly regulated industries, while having to deliver to challenging timescales and budgets. Our verification processes are compatible with those of leading companies in the nuclear and power generation sector.



Electronics & High Tech

We work with major electronic OEMs on R&D projects and also provide theoretical and software training. We also have a specialist Associate Engineer with a background in Photonics and Optoelectronics.



Renewable & Green energy

We have direct experience of renewables as well from working with clients developing renewable wave energy, to wind energy directly developing thermal energy.



“We recently trialed and bought some Flownex software through Docan.

Our experience of working with Docan as a distribution partner of Flownex has been excellent. They are extremely approachable and knowledgeable.

All our technical questions have been answered quickly and in detail.

The level of customer support provided is really impressive and without hesitation we would recommend Docan.”

- Navier Flow Consultants Ltd -



SOFTWARE

*INDICATES WHERE DOCAN IS AN AUTHORISED RESELLER OR CHANNEL PARTNER

We employ a wide range of tools and software packages across our consultancy business.

We have formed partnerships with world leading software houses which enables us to offer you cutting edge software.

We also have acquired additional tools to support our consultancy work as needed.

Here are some of the tools available to us:

COMPLETE SIMULATION & ANALYSIS TOOLS

- **MSC SOFTWARE*** (INC. MSC NASTRAN, PATRAN, ADAMS, CAE FATIGUE, CRADLE CFD, AND MANY MORE)
- **ALSO INCLUDES ABAQUS, ANSYS, AND OTHER PACKAGES AS DESIRED BY THE CLIENT.**

For FEA & CFD, acoustics, fluid-structure interaction, multi-physics, fatigue and durability, multi-body dynamics, and more.

HPC & CLOUD COMPUTING

- **RESCALE***
- **IN HOUSE HPC'S**

Providing HPC resource solutions.

2D DRAFTING & 3D CAD

- **BRICSCAD***
- **SOLIDWORKS**
- **AND OTHER HIGH-LEVEL PACKAGES**

Covering basic 2D drafting through to complex 3D modelling and engineering drawings for all industries.

PRESSURE SYSTEMS

- **ROHR2***
- **CAESARII**
- **PV ELITE & CODE CALC**
- **TANK**

Static and dynamic analysis of pressure systems for piping, vessels and pipeline systems.

1D SYSTEMS ANALYSIS

- **FLOWNEX***

1 dimensional thermo fluid system modeler and solver with capabilities to handle flows of pure liquids or gases, mixed flows, compressible and incompressible fluids, incondensable, two-phase, and slurry flows.

ENGINEERING MATHEMATICS & AUTOMATION

- **MAPLE***
- **MATHCAD**
- **MATLAB**
- **FORTRAN, C++, PYTHON**

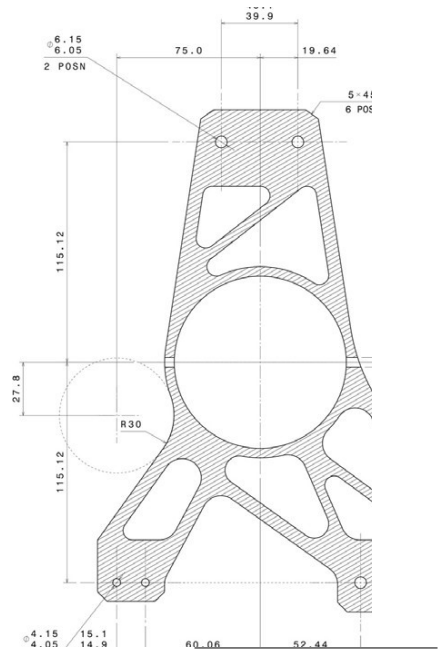
Analyzing, exploring, and solving mathematical problems.

CANT SEE WHAT YOU'RE LOOKING FOR...?

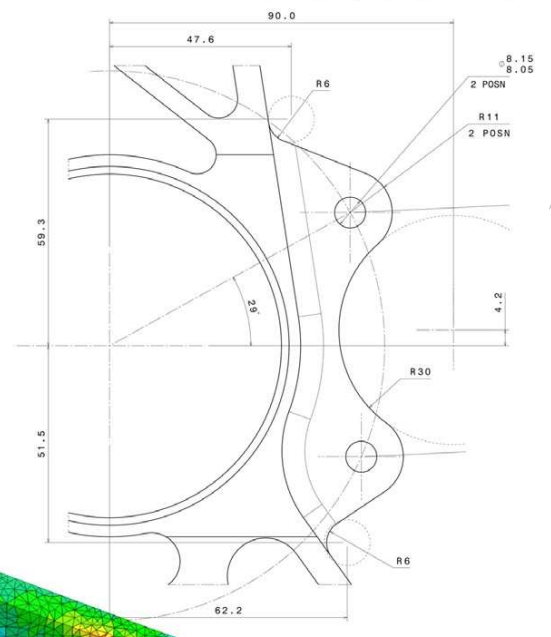
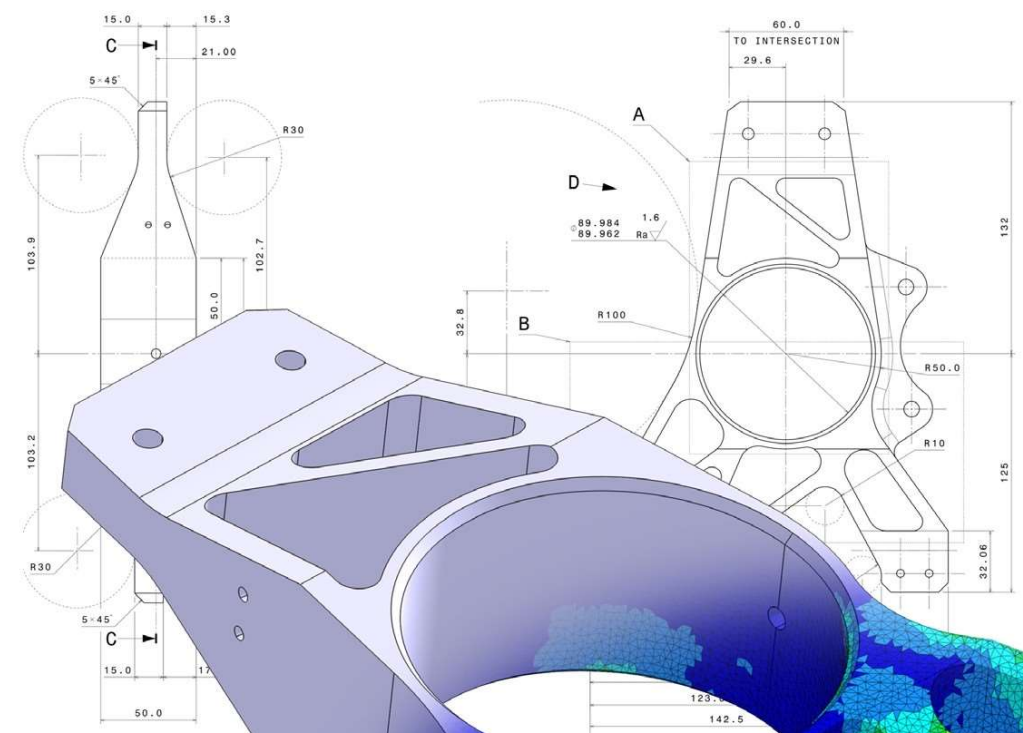
CONTACT US TO ENQUIRE ABOUT YOUR SPECIFIC CONSULTANCY REQUIREMENTS WWW.DOCANCO.COM



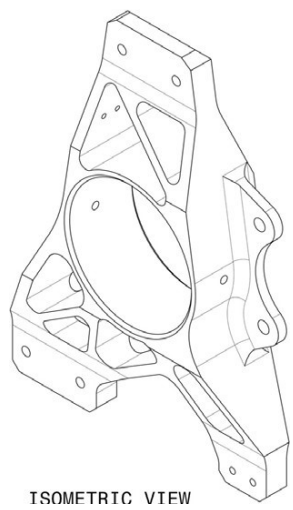
REVISION BOX				
BY	DATE	ISSUE	DESCRIPTION	
DRAWN				
CHECKED				
APPROVED				



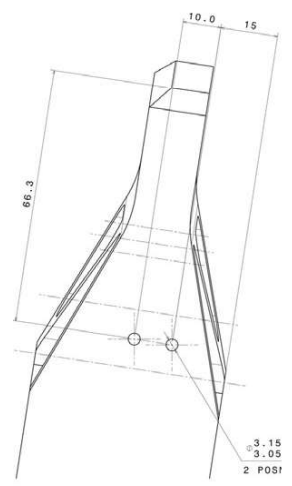
SECTION VI EWC: C



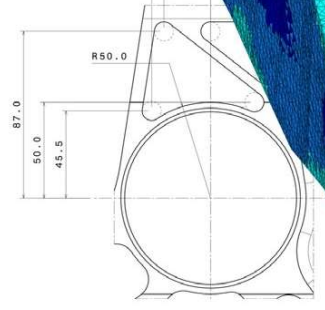
TAIL VIEW
MOUNT DEFINITION



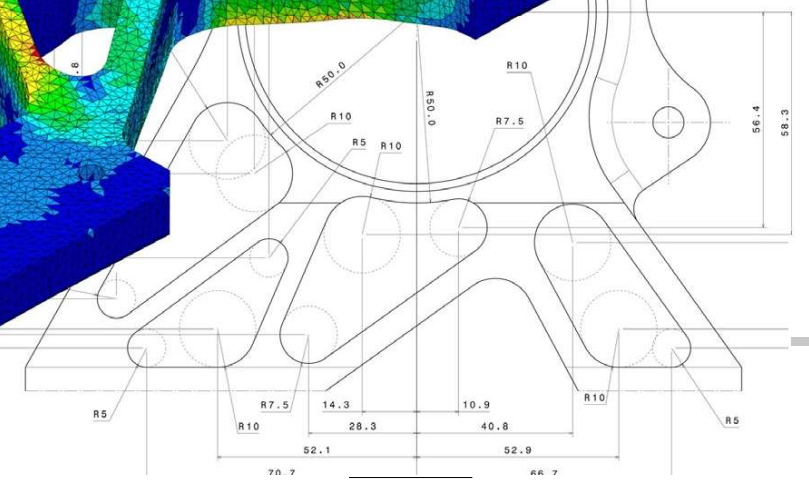
ISOMETRIC VIEW



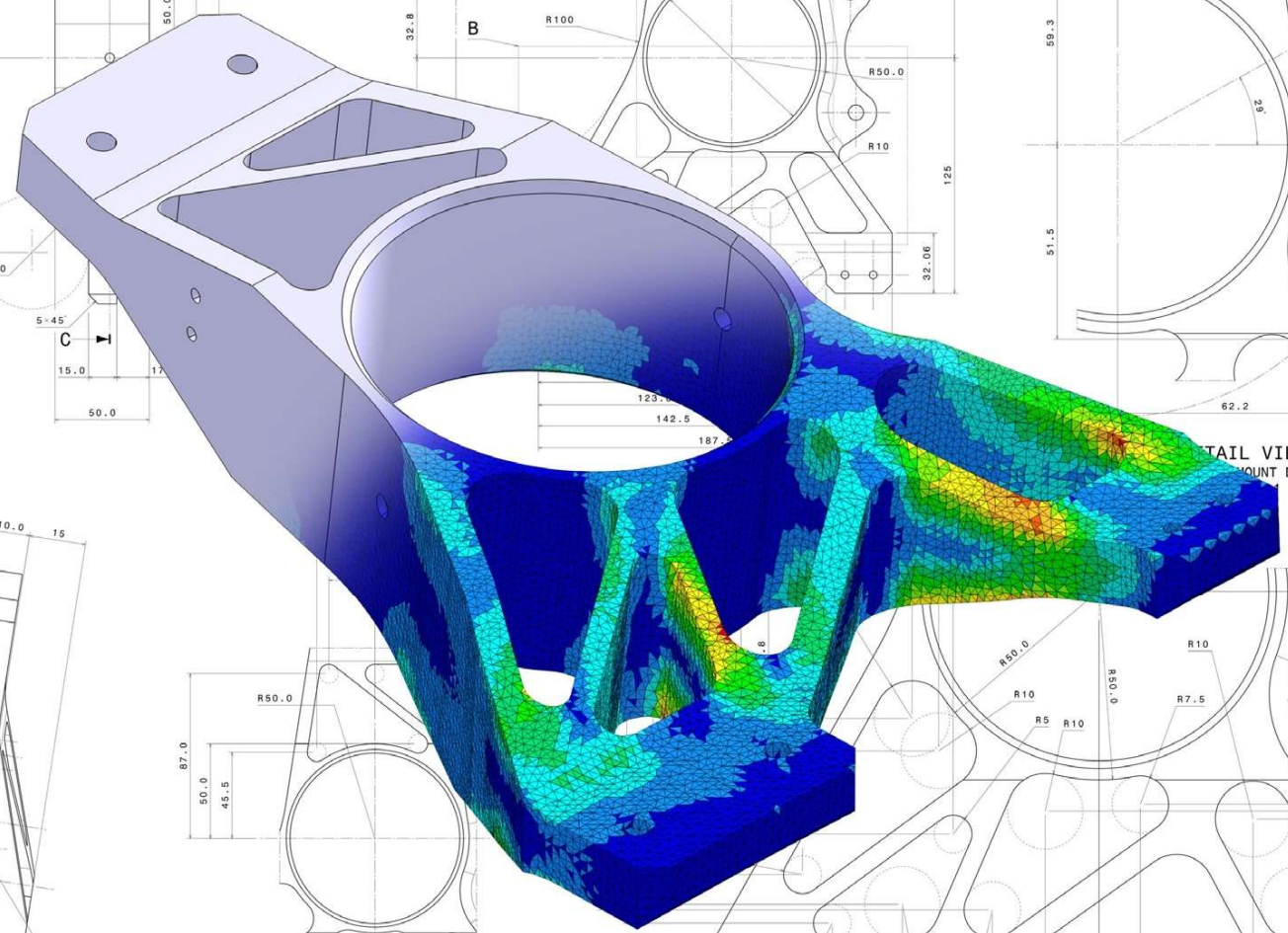
AUXILIARY VI EWD
SCALE 2:1



DETAIL A
UPPER POCKET DEFINITION



DETAIL B
LOWER POCKET DEFINITION
SCALE 2:1



- NOTES:
 1. MATERIAL: ALUMINIUM 606 1-16.
 2. REMOVE ALL BURRS AND SHARP EDGES.
 3. FINISH: NATURAL

GENERAL TOLERANCES
AS FOLLOWS

X.	Q S
.X	0.25
.XX	±0.125

ALL DIMENSIONS IN mm
UNLESS OTHERWISE STATED

DRAWN BY	M ALEXANDER 02 / 02 / 2014
CHECKED BY	
APPROVED BY	
SYSTEM	

REAR UPRIGHT
 UP RACING FS-14 -074 -SU-P4001 -AA
 WEIGHT: 1.01 kg APPROX
 PAGE SIZE: AO · SCALE 1:1 · ISS 1

STARBOARD - AS DRAWN - FS-14-074-SU-P4001-AA
 PORT - OPPOSITE HAND - FS-14-074-SU-P3001-AA

GLOBAL SURFACE FINISH OF $Ra \leq 3.2$

SUSPENSION

“ We first worked with the DOCAN team in 2018 when we needed some technically challenging Mechanical Engineering to be completed to support a new R&D project.

Together we achieved a correlation between test and simulation for a challenging mechanical system. Since then we have worked with DOCAN several times on projects and they have also provided training courses for some of our engineers and scientists in the use of highly non-linear analysis which has been great help.

As always DOCAN quickly understand the requirements and are responsive and quick to deliver results. We look forward to collaborating with DOCAN in the future. ”

- testimonial by Sharp Laboratories of Europe Ltd.



CONSULTING SERVICES

At DOCAN we have a wide range of skills, experience and people. At our core we are run by professional engineers with many years of experience in industries including Oil & Gas, Drilling (Onshore/Offshore), Renewables, Aerospace, Nuclear, Power Generation and Manufacturing.

We have worked on small tasks, to very large multi discipline, multi-thousand man-hour projects. Each client whether large or small are important to us. We value our clients and want our clients to develop and grow.

Fundamentally we come from a Professional Engineering background where engineering logic and analysis were the foundation of our work. To this day we are still guided by this principle which ensures we deliver appropriate technical solutions.

Our Consulting work has covered many areas of a project lifecycle, from R&D of electronics equipment and telecoms foldable screens, to Decommissioning and end of life lifting studies of massive pressure vessels. We have also been involved in the full design life cycle, from concept design to creation of manufacturing drawings for OEM's.

Within our Consulting business we don't retain your IP – this is yours. We are also independent. The ownership of the company is by DOCAN directors only with no external influences.

- CAD, Drafting bureau
- Product Design
- Design Analysis
- Fitness For Service
- Manufacturing assessment
- Surveying and 3D scanning
- Reverse Engineering
- Upskilling and new industries



Key areas we can support you within our consulting business:

CAD, Drafting bureau

If you want to outsource or scale up, or go from paper to electronic you can use us as a CAD and drafting bureau. Our Drafters and Designers are an economic option, and when Engineering support is needed, this can be made available as well including options for Additive Manufacture and other technologies.

Product Design

Equipment Design, Plant Design, System Design – from R&D, to FEED, to Detailed Design, including all engineering analysis and documentation. This could be for an electronics system, or for a massive process system, drilling rig, mechanism or machine, looking at areas such as Mechanical Design, Structural Design, Thermo-Fluid Design, Piping and Vessels, and other areas.

Design Analysis

Assessment of OEM equipment/system to confirm design meets code, offering modification/improvement service.

Fitness For Service and Forensic Assessment

Typically used on damaged or old equipment and systems and used to confirm product, equipment or system is still safe to use, or to determine why systems failed.

Manufacturing assessment

Welds, forming, forgings, additive manufacture (of process and integrity).



Surveying and 3D scanning

We have access to some of the world's best technology for this now mature area. We can use traditional surveying techniques, or more modern scanning methods. The real skill is in the post processing of the data where we can take your scan data and turn it into information – such as scan>-CAD>BIM>SAP for instance.

Reverse Engineering

Using scanned data, additionally we can use metallurgy and determine material properties and strength and re-engineer the part, product or system and develop new drawings and documentation suitable for a regulator.

Upskilling and new industries

Many of the tools we use, we can sell and distribute. This means, we can work with you to upskill and enable you to take on new work, in new industries. We can offer a consulting service, project support and development, software supply and technical support. In this manner your money and investment is super compounded and will give you a major ROI. This also benefits us by helping us sell our software products and is then a win-win.



CONTACT US

CALL – UK +44 (0)1606 212330 – USA +1 888 874 0964

EMAIL - INFO@DOCANCO.COM

WEBSITE - WWW.DOCANCO.COM

OR FOLLOW US ON LINKEDIN

WWW.LINKEDIN.COM/COMPANY/DOCAN/

